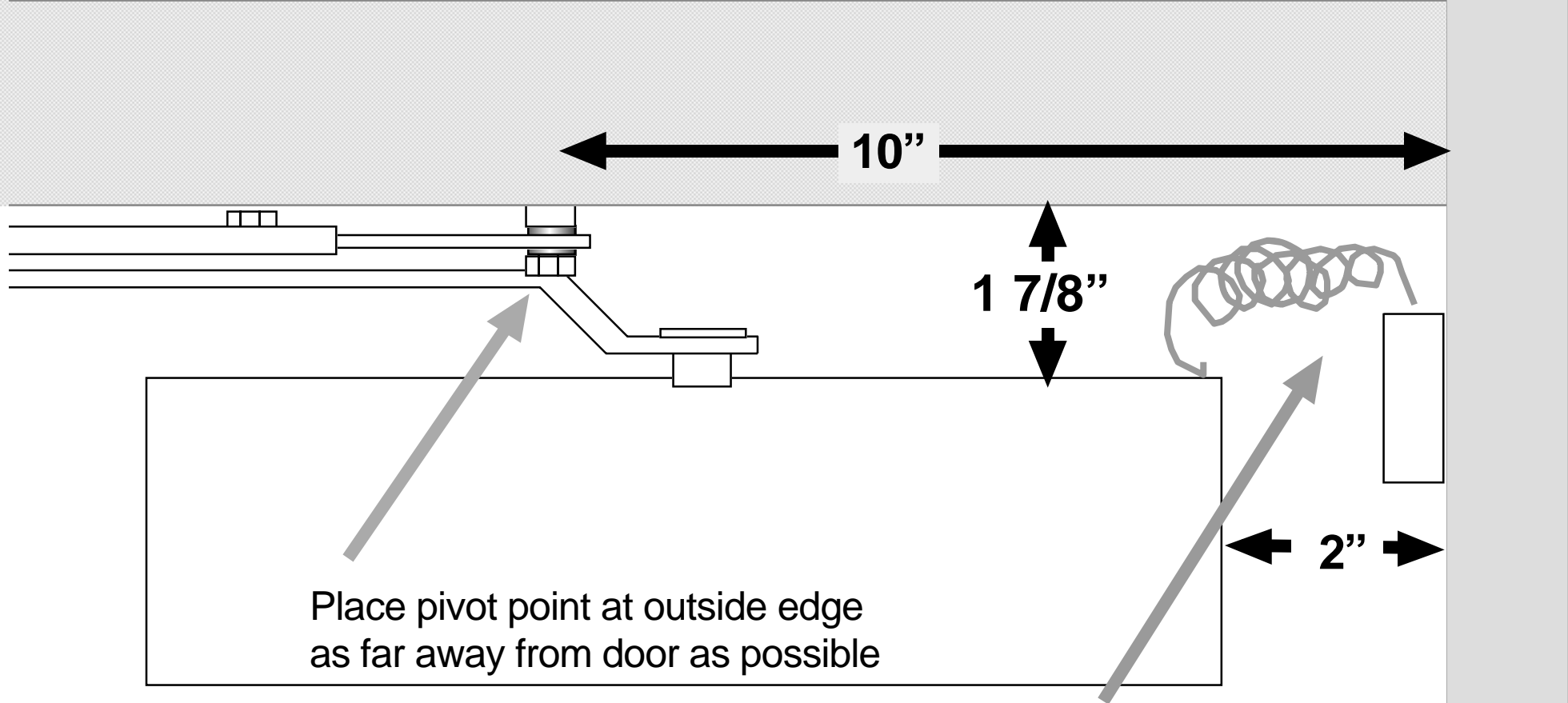
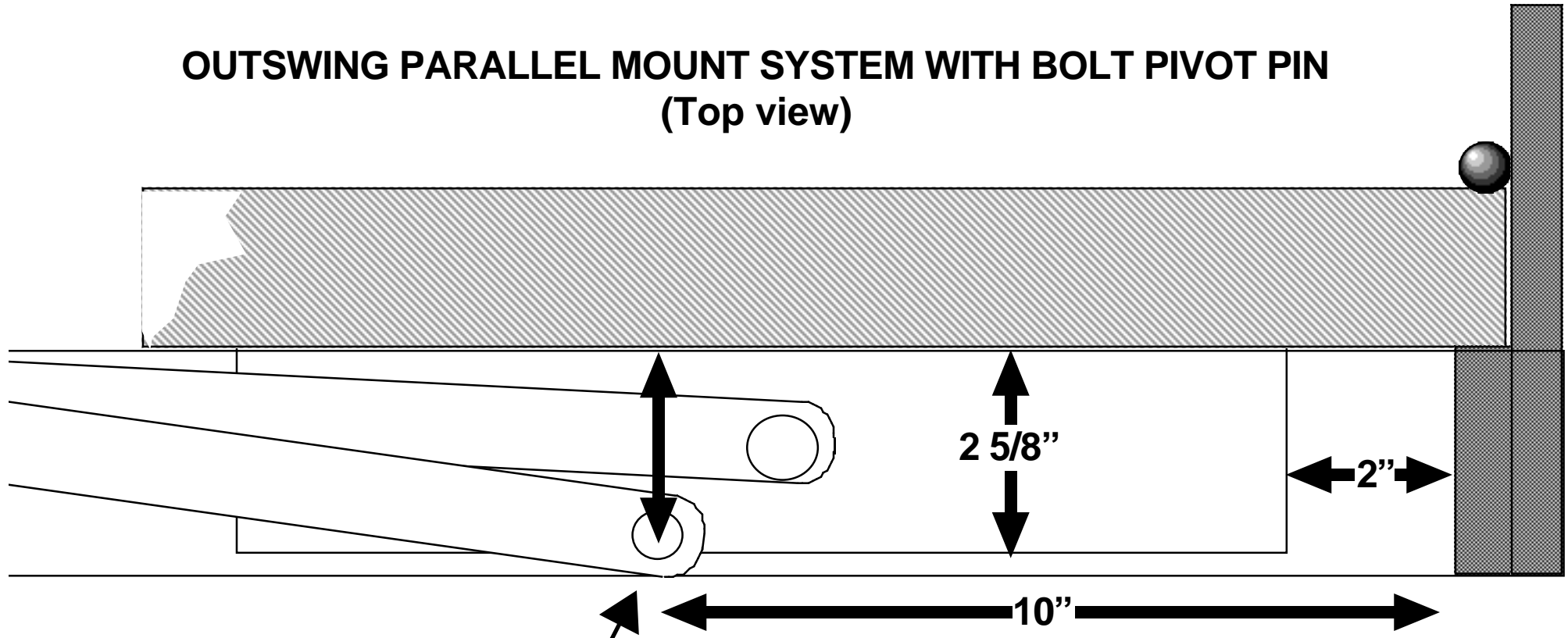


# OUTSWING PARALLEL MOUNT SYSTEM WITH BOLT PIVOT PIN (Front view )



Electrical flex curly cord  
and RJ-11 connection box

# OUTSWING PARALLEL MOUNT SYSTEM WITH BOLT PIVOT PIN (Top view)



Place pivot point at outside edge  
as far away from door as possible